



H2O Rx

Bunding

Bunding



Circular bunds are ideal for small drums and less hazardous applications. They are available in various sizes:

Part Number	Capacity	Dimensions
CB400	400 L	1195 Dia x 425 High
CB1250	1250 L	1750 Dia x 600 High
CB2000	2000 L	2100 Dia x 600 High

Bunded Pallets are suited to drums and small tanks. These units have the advantage of forklift access to enable the bund to be relocated easily. The square design makes it easy to fit into most locations. The base has a drainage channels and a sump with a bung for drainage.

Part Number	Capacity	Dimensions
BP240	240 L	1157 Sqr x 410 High



H2O Rx

Phone: 0409 784 236

PO Box 748

Fax: (02) 9436 0491

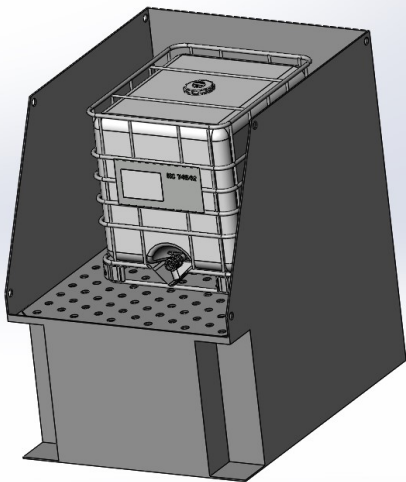
Lane Cove NSW 1595

Web: www.h2orx.com.au

Literature Request: H2O Rx Bunds

Email: info@h2orx.com.au

Bunding

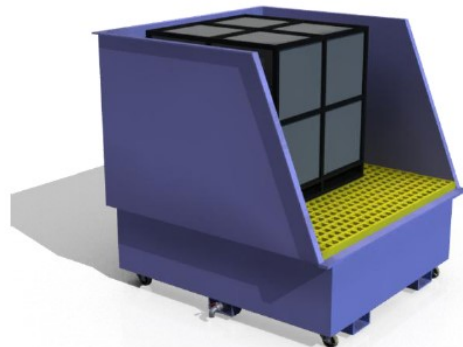


Semi-Permanent Bunds are suited to longer term fixed location applications. These units are great for use with IBC's as single or doubles. They can easily be fitted with dosing systems for a complete handling solution.

Part Number	Capacity	Dimensions
HB2700	2700 L	1960 w x 1995 lg x 1985 h (back) & 760 h (front)

FRP IBC Bunds are suited to IBC's where direct forklift loading is desirable. These can be optionally fitted with forklift sleeves or castor wheels so that the entire bund can be moved.

Part Number	Capacity	Dimensions
2101217	Suits 1000L bulkibox	1800 x 1800 x 1700 h



Larger Bunds

Where larger capacity chemical storage facilities are required, Polyethylene and FRP bunds are not suitable.

These bunds need to be designed specifically to meet the requirements of the environmental and dangerous goods legislations and standards.

Please refer to Chemical System Consulting for assistance.